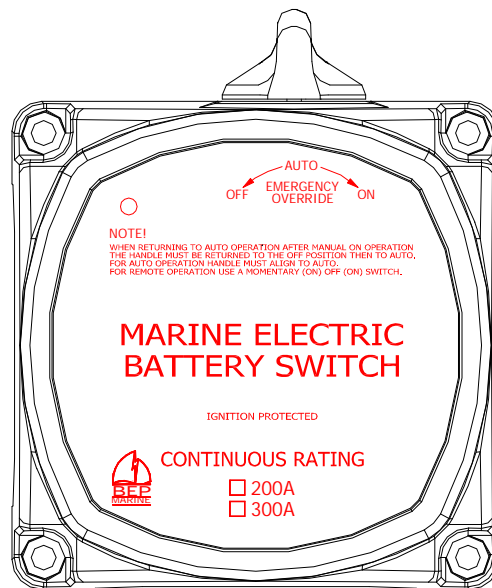




722-NE-300A MARINE BATTERY SWITCH

OWNERS INSTRUCTION MANUAL



THE 722-NE-300A

The **722-NE-300A Marine Battery Switch** fills a need on larger boats where cable runs become very long and voltage drop is a prime concern. The 722 allows a more direct cable route between batteries and heavy duty loads by eliminating the cable run to the traditional “conveniently” mounted manual master switch.

The battery switch is remotely operated via a key switch (part number 722-KS2) which can be mounted on the dash or any other convenient position.

FEATURES

- Dimensions: 102mm x 102mm x 105H
- On-Off Manual over-ride function.
- 722-NE-300A can switch either 12 or 24 volt
- 3 Amp momentary draw to operate.
- Indicator light for functions.
- 300 Amps continuous rating.
- 1500 Amps for 10 seconds.
- Ignition protected.

OPERATION

AUTOMATIC

For automatic the manual knob must be in the automatic position.
In “automatic” mode the Battery Switch is switched on and off from the remote switch.

MANUAL

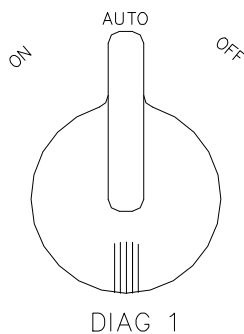
Manual ON-OFF positions cannot be electrically changed.
OFF: In the “off” mode the switch removes the power to the load side of the switch (see DIAG 1).
ON: In the “on” mode the switch is fixed in the on position (see DIAG 1).

NOTE:

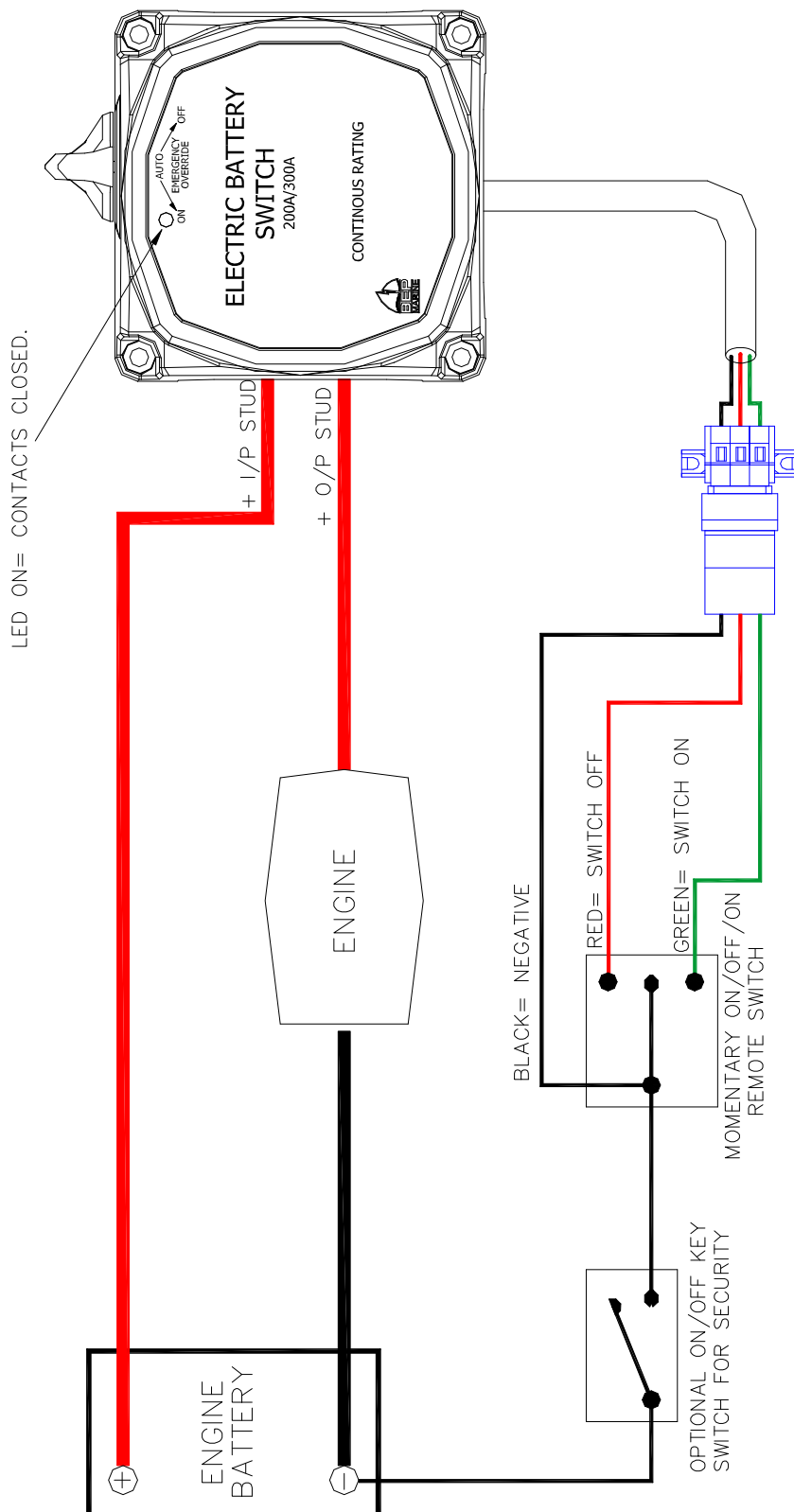
IF UNIT HAS BEEN MANUALLY SWITCHED ON, SWITCH THE MANUAL KNOB INTO THE OFF POSITION BEFORE RETURNING IT TO THE “AUTO” POSITION.

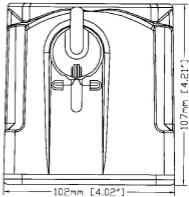
LED INDICATIONS

OFF: The battery switch is open and not passing current.
ON: The battery switch is closed and able to pass current.



WIRING







BEP MARINE
13 Tarndale Grove
Albany, Auckland, N.Z.
Ph: +64 9 415 7261
Fax: +64 9 415 9327
www.bepmarine.com



BEP AUTOMOTIVE
13 Tarndale Grove
Albany, Auckland, N.Z.
Ph: +64 9 415 7261
Fax: +64 9 415 9327
www.bepautomotive.com

E-mail: enquiries@bepmarine.com

Please visit our website for the latest International Distributor List